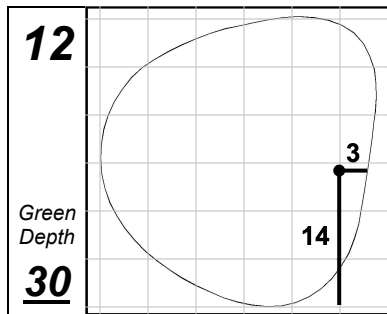
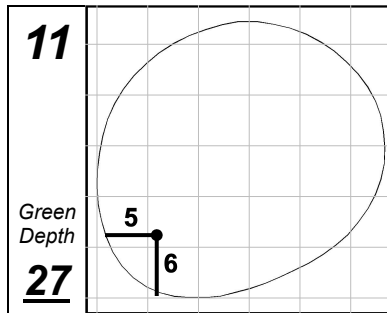
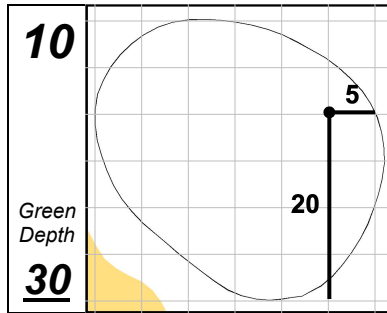
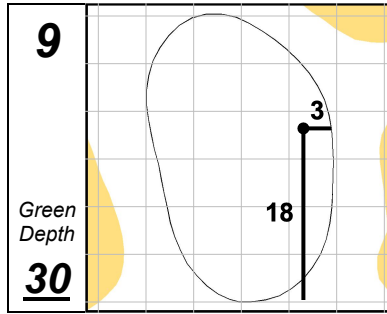
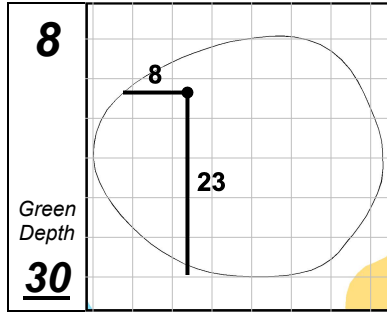
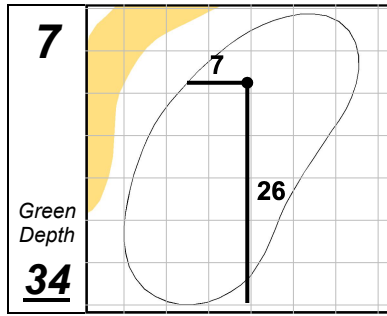


**Wichita Open Benefitting KU Wichita Pediatrics**



**Crestview CC**

